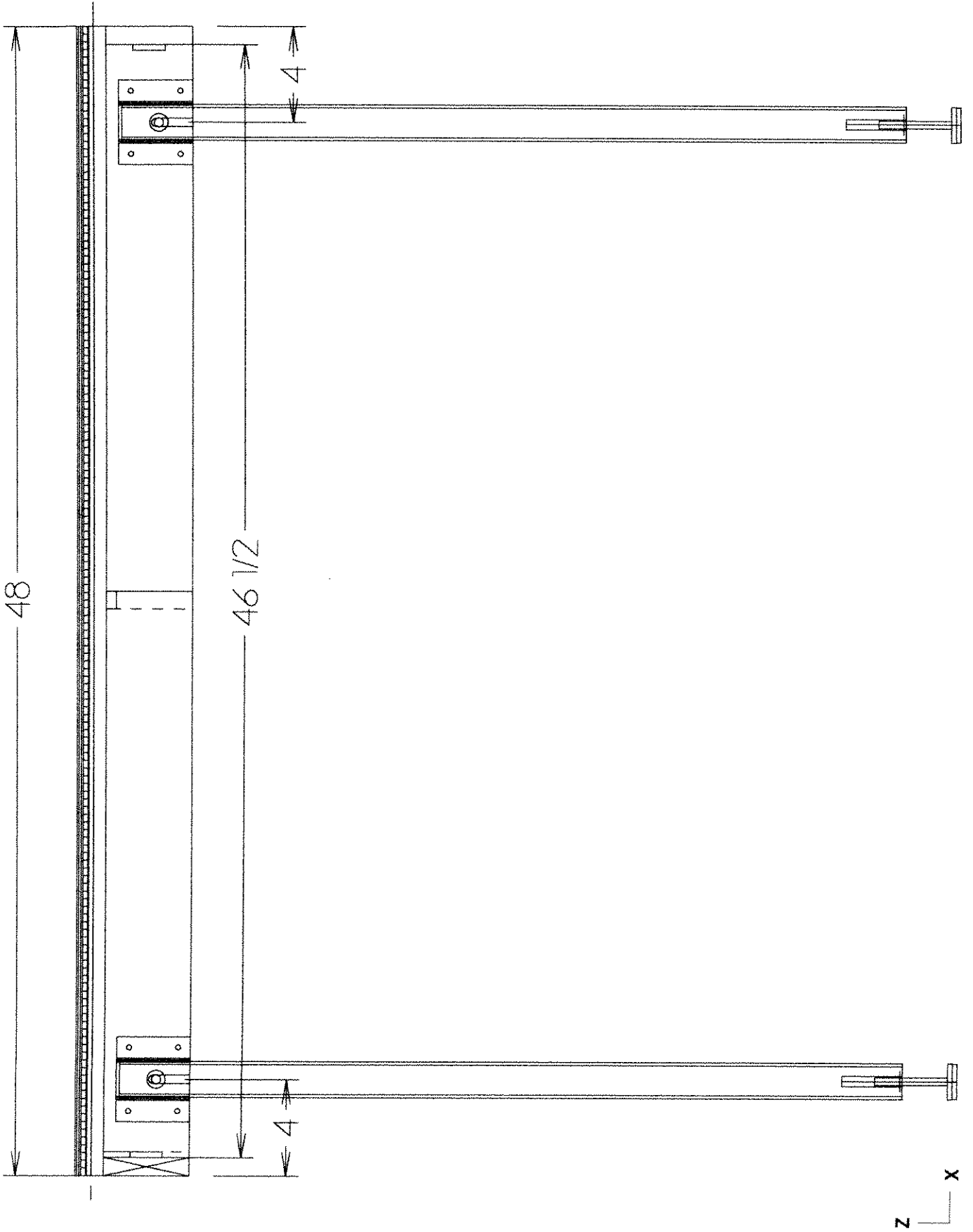


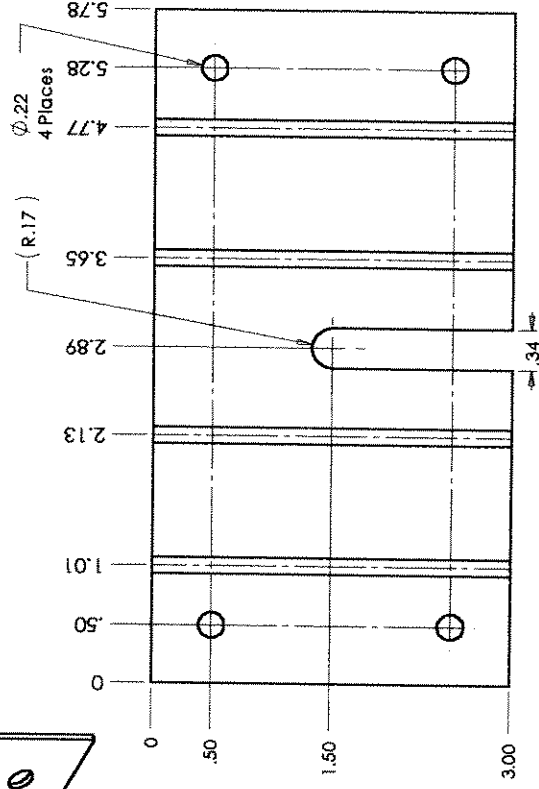
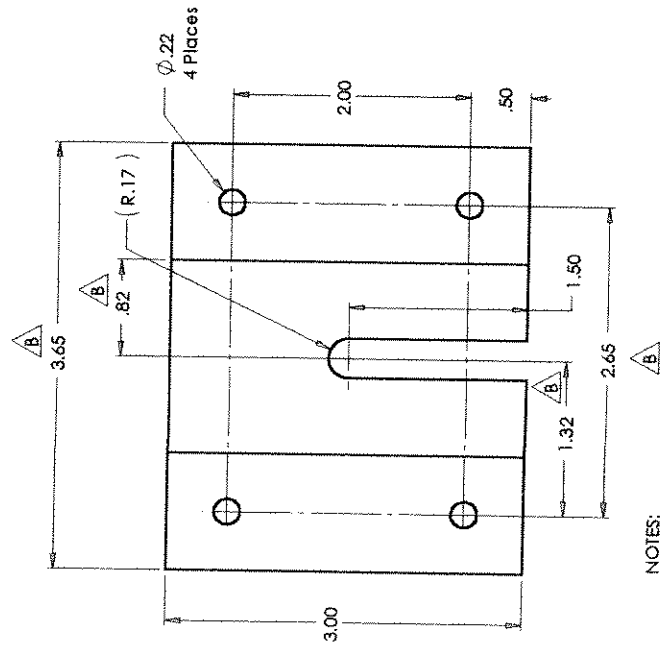
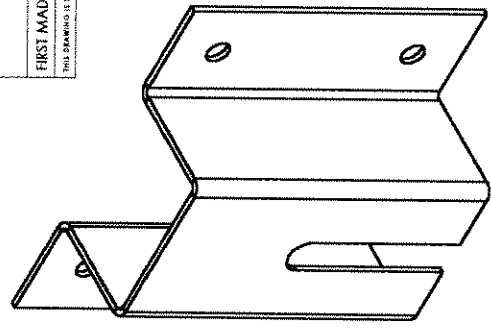
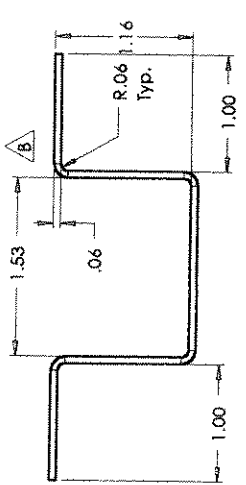
inch



Leg Pocket

TR-0012

FIRST MADE FOR JB-70		Scale: 1:1	DRG B
THIS DRAWING IS THE PROPERTY OF AHS. CONTAINS INFORMATION PROPRIETARY TO PACCOR, INC.			
UNLESS OTHERWISE SPECIFIED		SURF. FINISH: 32	
TOLERANCE ON DIMENSIONS	DECIMAL (FRACTION)	DECIMAL (FRACTION)	ANGLE
	± .015	± .005	± 1/2°



NOTES:

QTY. 32 PCS.

1. MATERIAL: CRS 16Ga. PAINT-LOK
2. REMOVE ALL BURRS AND SHARP EDGES.
3. VENDOR SHALL SUPPLY THE PARTS SUFFICIENTLY PACKED TO PROTECT THE FINISH AND INTEGRITY DURING SHIPMENT AND STORAGE. THE OUTSIDE OF THE PACKAGE SHALL BE PROMINENTLY MARKED WITH THE PART NUMBER AND REVISION.

REV	DATE	BY	DESCRIPTION
B. J. Kleinschmidt	1/14/2003		Was 1.28 Now 1.53 Was .73 Now .82 Was 1.23 Now 1.32
A. J. Kleinschmidt	4/9/01		Was 2.46 Now 2.65 Was 3.46 Now 3.65
MADE BY	J. Kleinschmidt	4/9/01	INITIAL
COMP. FILE NO.			
APPENDIX			TR-0012

